

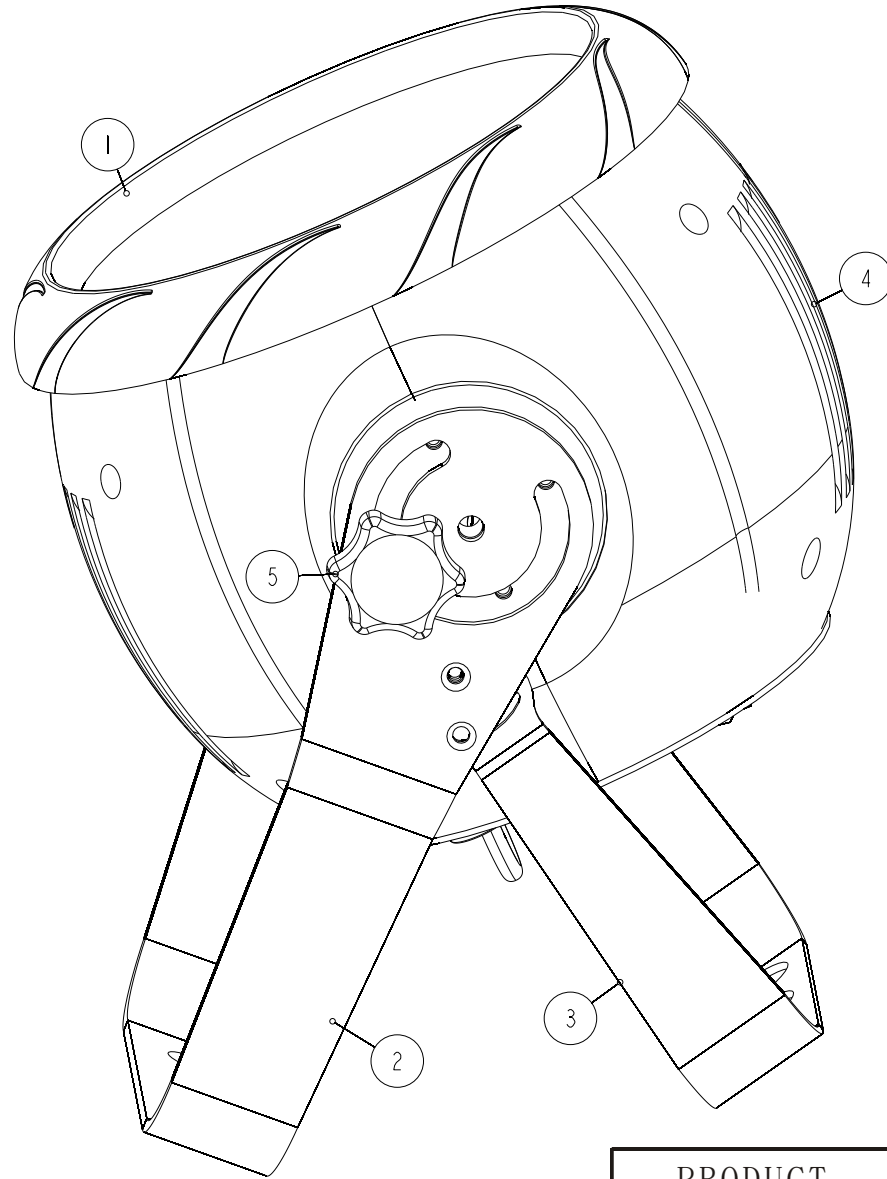
# Service manual

## Design LED 36

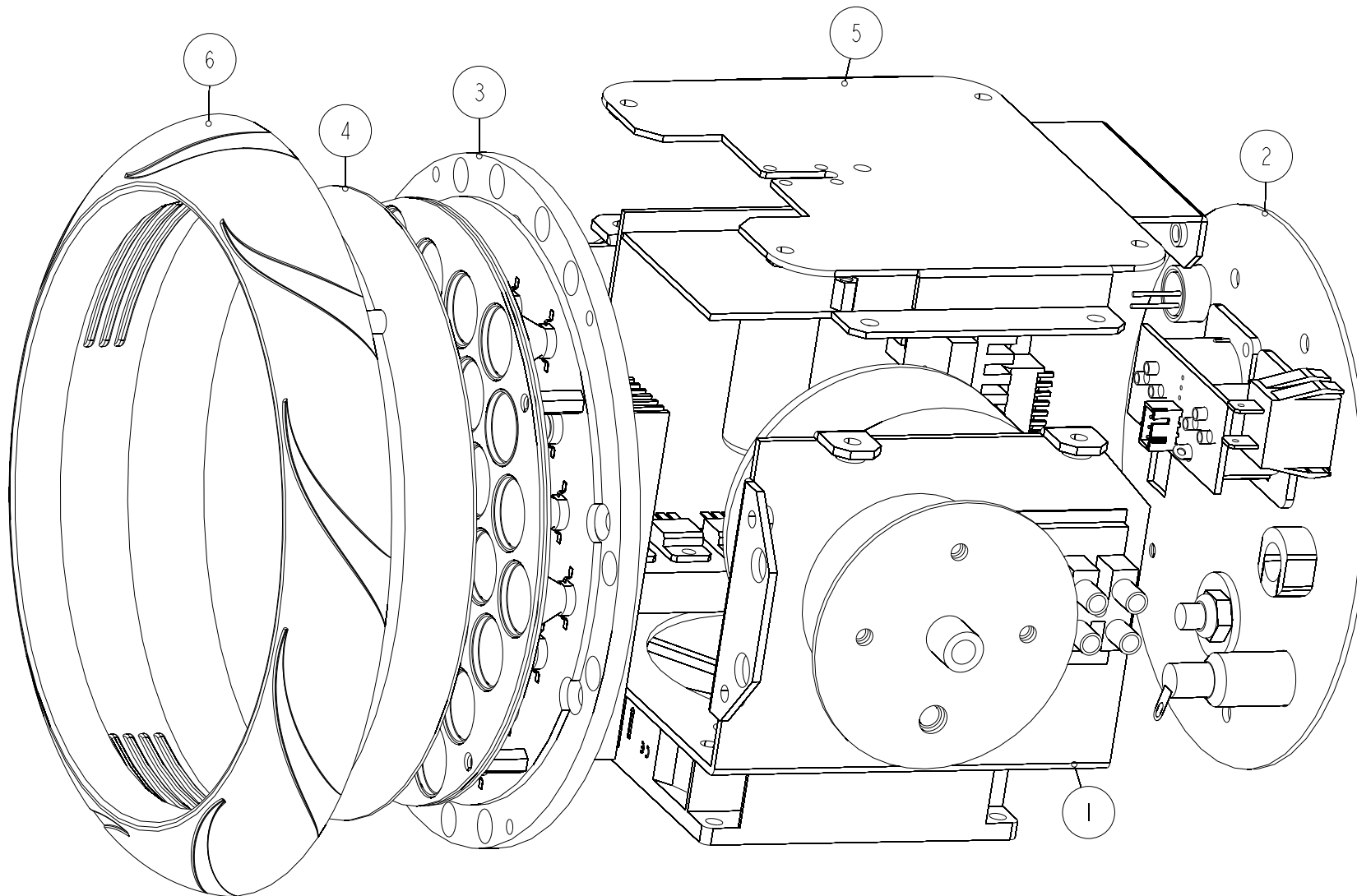


- ※ **Exploded Diagrams**
- ※ **Circuit Diagrams**
- ※ **Wiring Diagrams**
- ※ **Parts List**

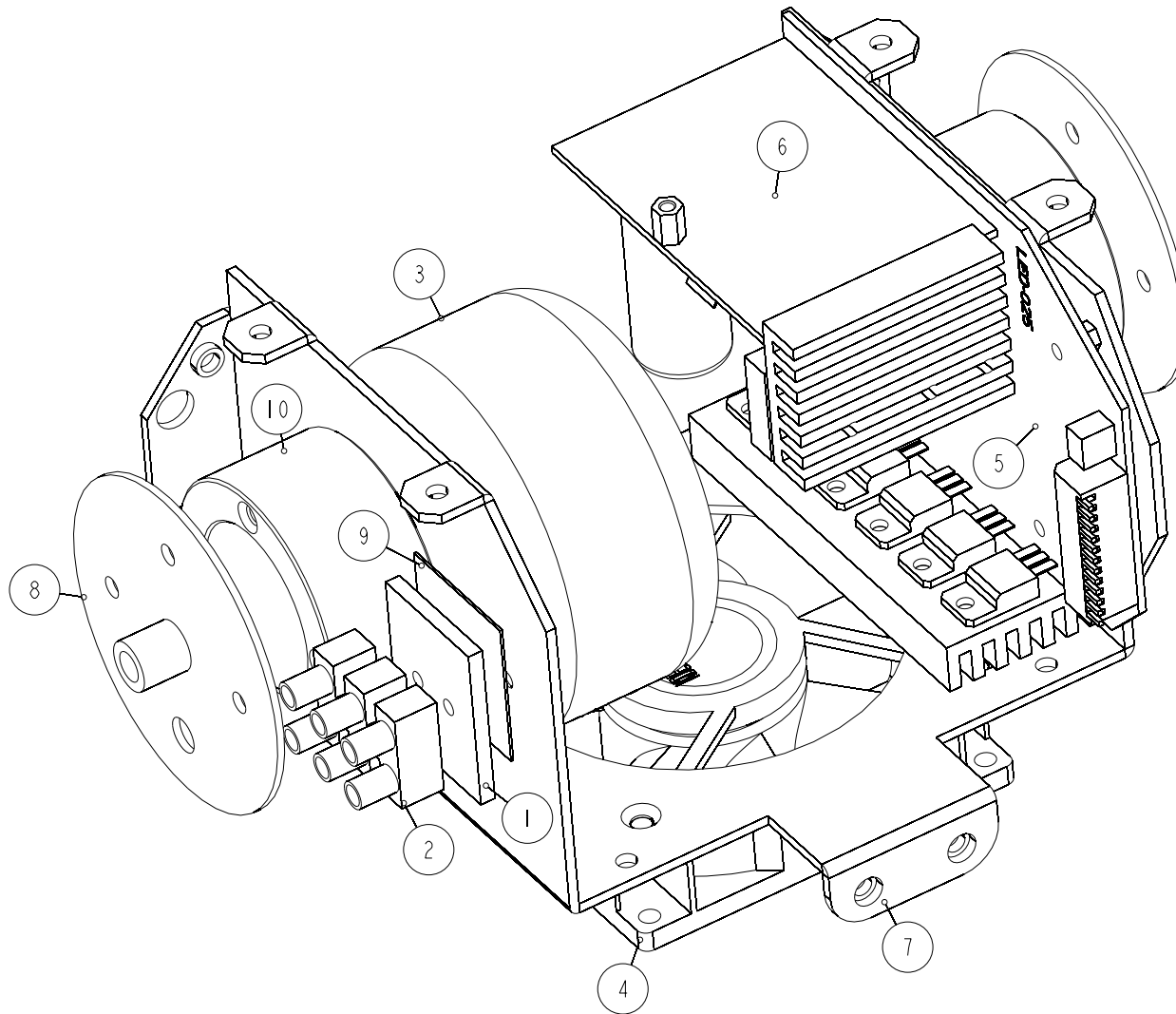
<b>PRODUCT</b>		<b>Design LED 36</b>			
<b>PIC. NO.</b>		<b>Front Page</b>			
EDIT		FILE NO.	GS-EXP-113A		
CHECK		VERSION	NR	DATE	2007. 03. 02
APPROVE		ECN NO.		DATE	



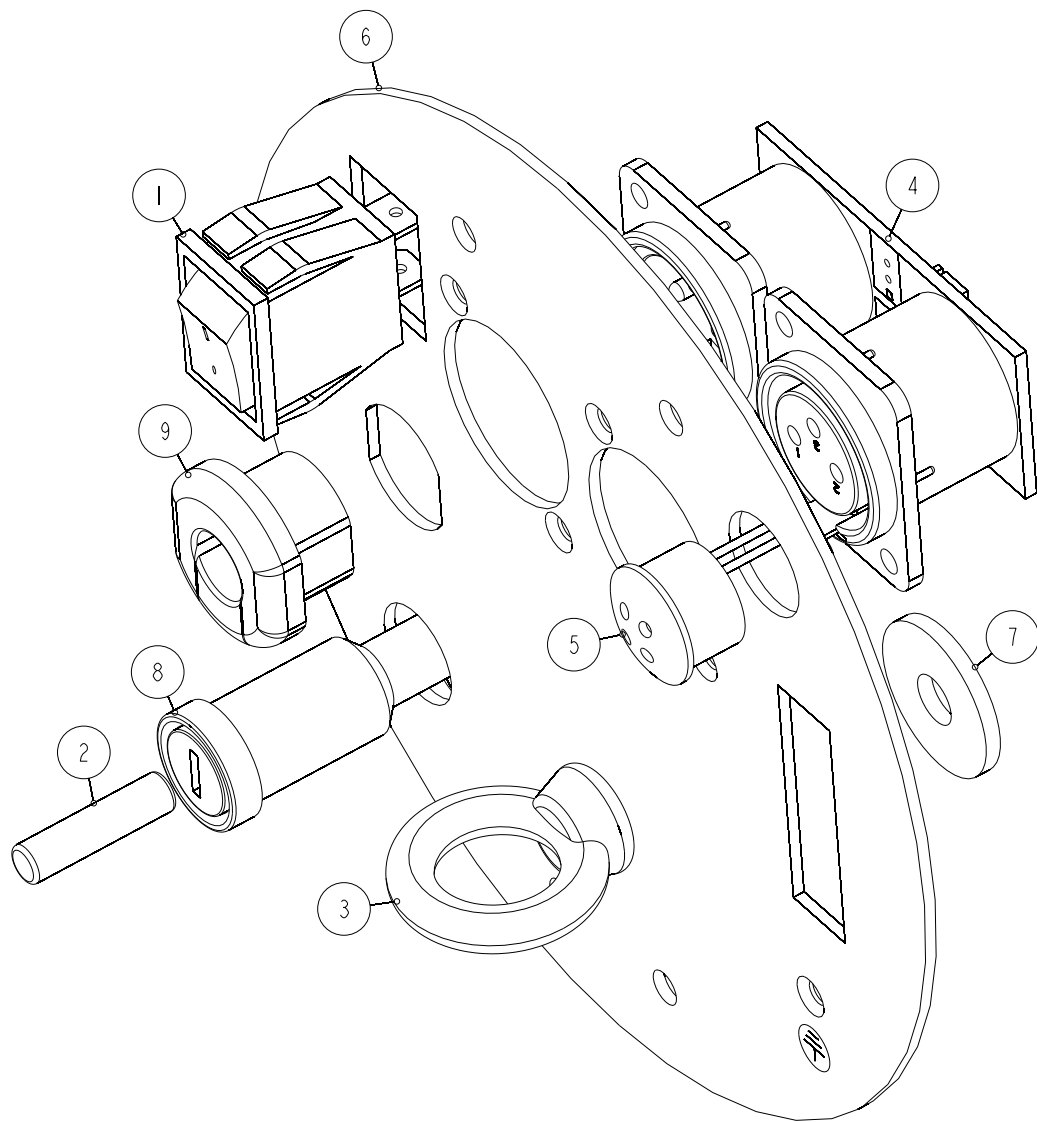
PRODUCT		<b>Design LED 36</b>			
PIC. NO.		<b>10-0037-00-00-00</b>			
EDIT		FILE NO.	GS-EXP-113A	PAGE NO.	1/9
CHECK		VERSION	NR	DATE	2007.03.02
APPROVE		ECN NO.		DATE	



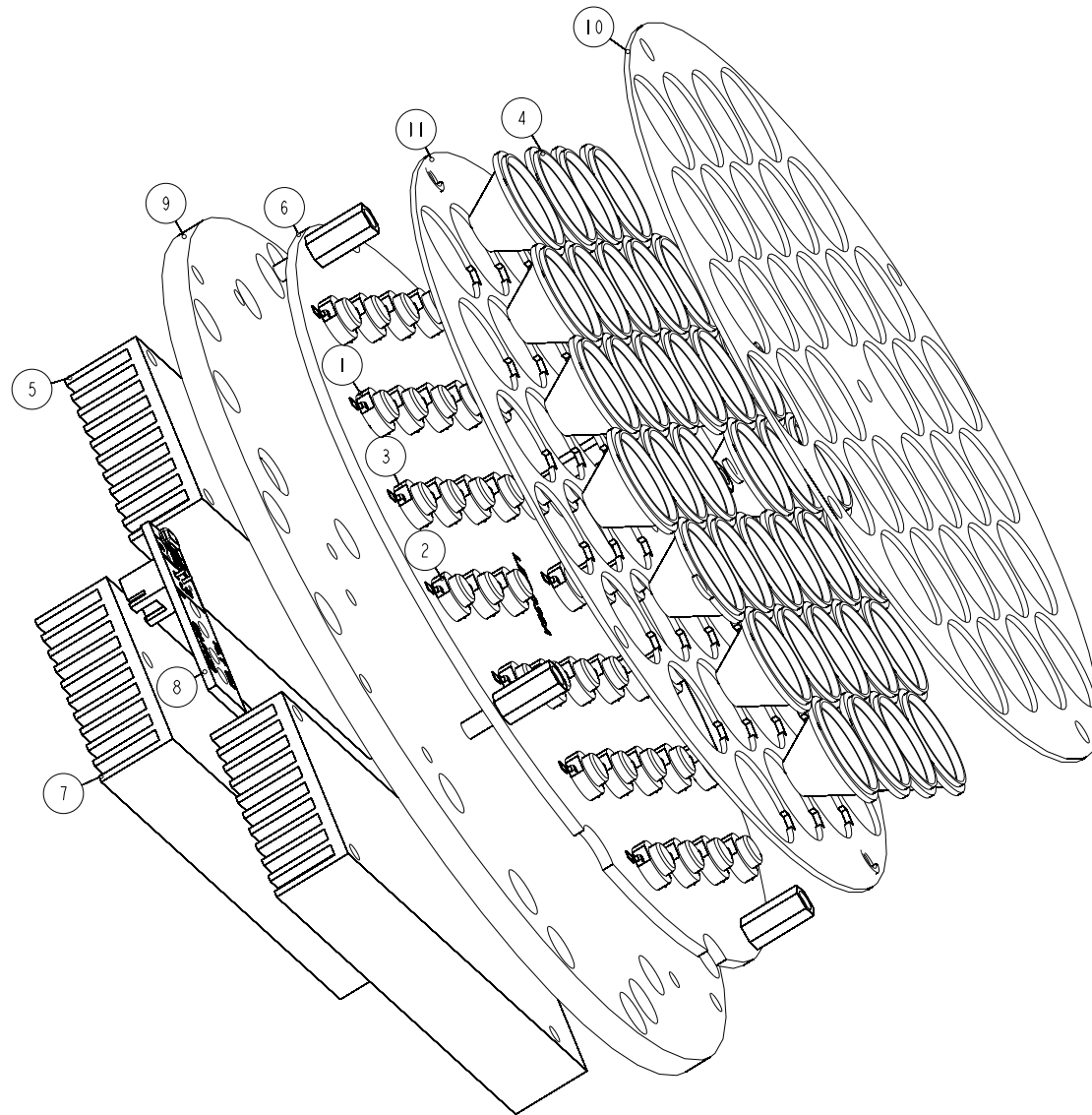
PRODUCT		<b>Design LED 36</b>			
PIC. NO.		<b>10-0037-01-00-00</b>			
EDIT		FILE NO.	GS-EXP-113A	PAGE NO.	2/9
CHECK		VERSION	NR	DATE	2007.03.02
APPROVE		ECN NO.		DATE	



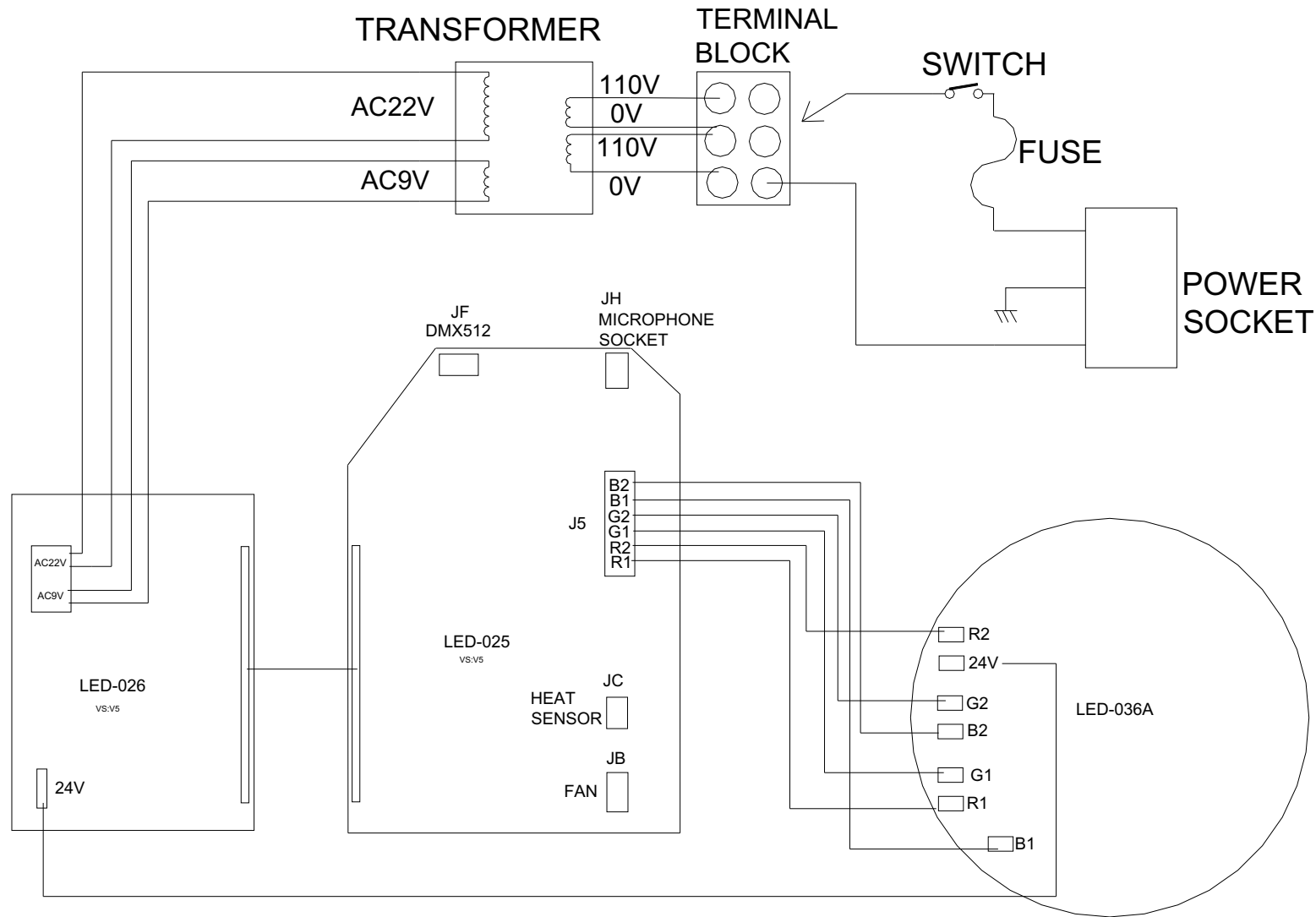
PRODUCT		<b>Design LED 36</b>			
PIC. NO.		<b>10-0037-01-01-00</b>			
EDIT		FILE NO.	GS-EXP-113A	PAGE NO.	3/9
CHECK		VERSION	NR	DATE	2007.03.02
APPROVE		ECN NO.		DATE	



PRODUCT		<b>Design LED 36</b>			
PIC. NO.		<b>10-0032-01-02-00</b>			
EDIT		FILE NO.	GS-EXP-113A	PAGE NO.	4/9
CHECK		VERSION	NR	DATE	2007.03.02
APPROVE		ECN NO.		DATE	

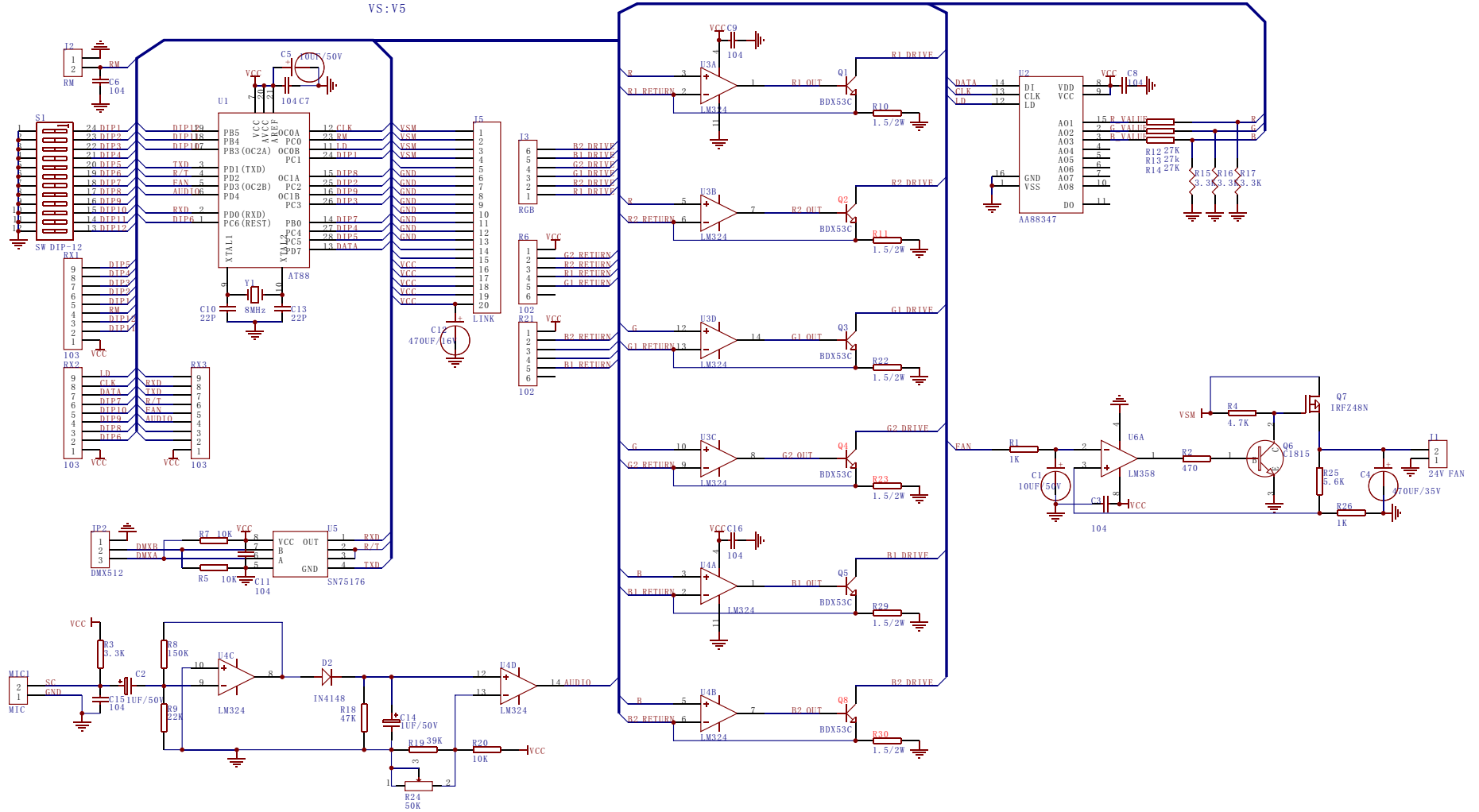


PRODUCT		<b>Design LED 36</b>			
PIC. NO.		<b>00-0014-01-03-00</b>			
EDIT		FILE NO.	GS-EXP-113A	PAGE NO.	5/9
CHECK		VERSION	NR	DATE	2007.03.02
APPROVE		ECN NO.		DATE	



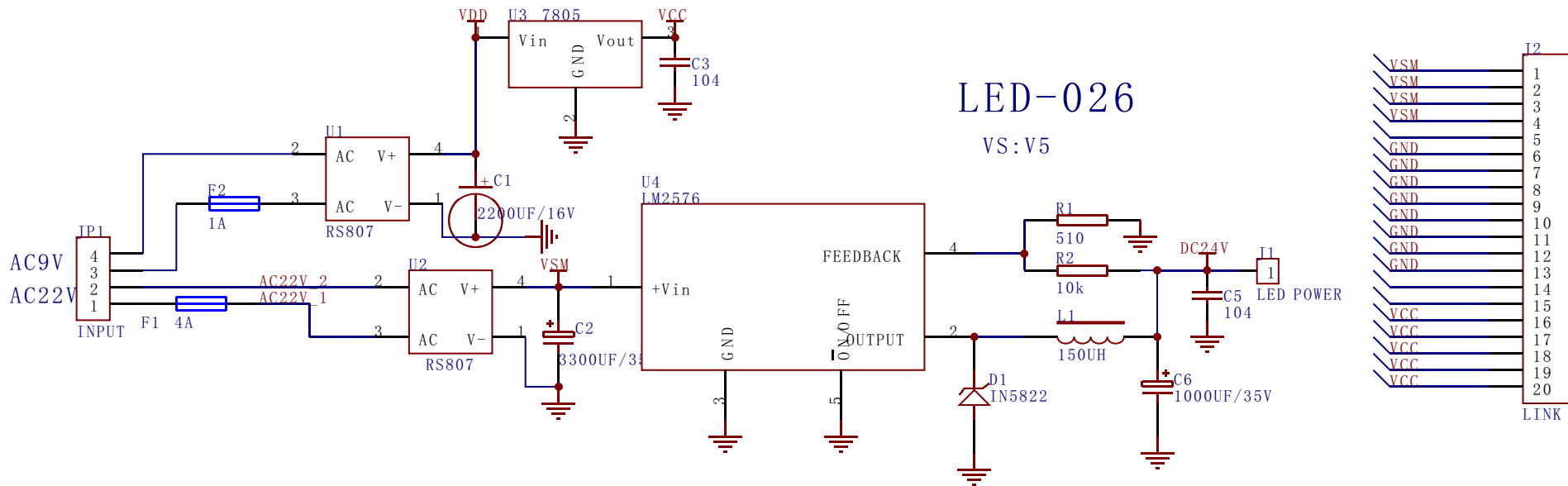
PRODUCT		Design LED 36			
PIC. NO.		UV 36F ELECTRIC			
EDIT		FILE NO.	GS-WIJL-042	PAGE NO.	6/9
CHECK		VERSION	B	DATE	2007.03.02
APPROVE		ECN NO.		DATE	

LED-025  
VS:V5



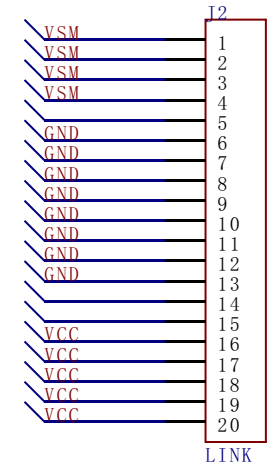
PRODUCT	Design LED 36				
PIC. NO.	LED-025 SCHEME				
EDIT		FILE NO.	GS-WIJL-126-01	PAGE NO.	7/9
CHECK		VERSION	NR	DATE	2007.03.02
APPROVE		ECN NO.		DATE	



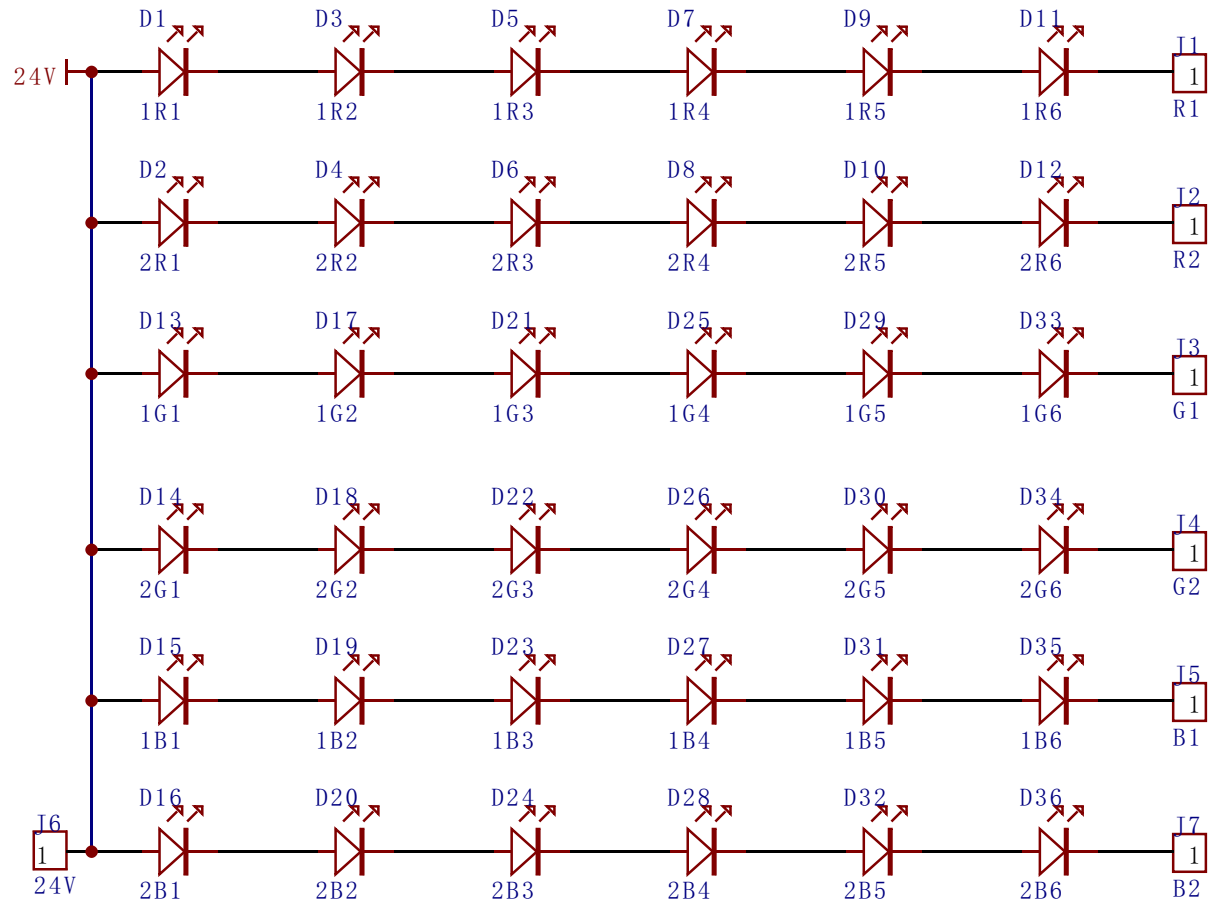


## LED-026

VS:V5



PRODUCT		Design LED 36			
PIC. NO.		LED-026 SCHEME			
EDIT		FILE NO.	GS-WIJL-127	PAGE NO.	8/9
CHECK		VERSION	NR	DATE	2007.03.02
APPROVE		ECN NO.		DATE	



PRODUCT		<b>Design LED 36</b>			
PIC. NO.		<b>LED-036A SCHEME</b>			
EDIT		FILE NO.	GS-WIJL-128	PAGE NO.	9/9
CHECK		VERSION	NR	DATE	2007.03.02
APPROVE		ECN NO.		DATE	